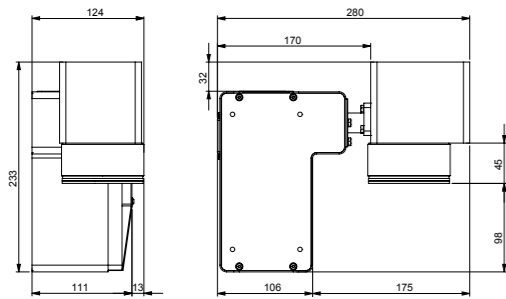


LOGO oem “all-in-one”



EXTERNAL CONNECTIONS:
Ethernet cable to PC
 Power supply
 Safety interlock

CONNESSIONI ESTERNE:
Cavo ethernet verso PC
 Alimentazione elettrica
 Sicurezze interlock

OPTIONAL
 Motorized spindle

OPTIONAL
 Mandrino motorizzato

TECHNICAL DATA · DATI TECNICI

Wavelength · Lunghezza d'onda	1064 nm
Peak Power · Potenza picco	20 KW
Pulse Duration · Durata impulso	4 ns
Frequency · Frequenza	Fixed · Fissa
Focus Kit · Kit messa a fuoco	Included · Incluso
Dimensions (W x D x H) · Dimensioni (L x P x A)	124 x 280 x 233 mm
Weight · Peso	6 Kg

LOGO

high quality,
 lean processes

LOGO, a new experience for the end-user:
 you buy, install and use it without training.

*LOGO, una nuova esperienza per l'utilizzatore:
 lo acquisti, lo installi e lo usi senza training.*



The majority of metallic and plastic materials

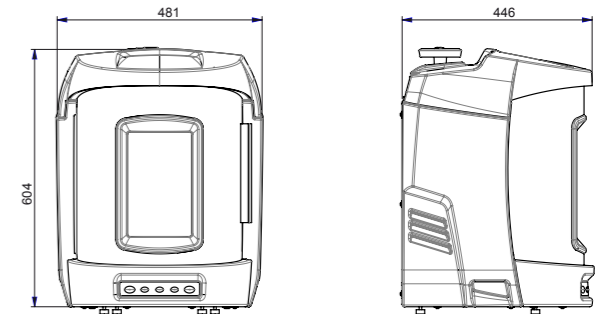
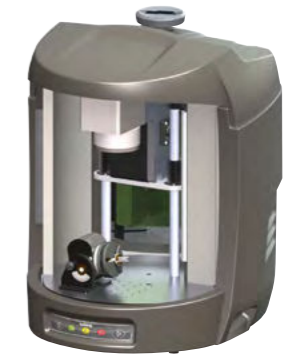
La maggior parte dei materiali metallici e plastici

PROCESSES · LAVORAZIONI

Satin finishing · Satinatura
Marking · Marcatura
Light engraving · Incisione leggera
Photo marking · Marcatura immagini e foto



LOGO class 1



EXTERNAL CONNECTIONS:
Ethernet cable to PC
 Power supply

CONNESSIONI ESTERNE:
Cavo ethernet verso PC
 Alimentazione elettrica

OPTIONAL
 Motorized spindle

OPTIONAL
 Mandrino motorizzato

TECHNICAL DATA · DATI TECNICI

Wavelength · Lunghezza d'onda	1064 nm
Peak Power · Potenza picco	20 KW
Pulse Duration · Durata impulso	4 ns
Working table dimension (L x l x h)	mm 200x160x180 with lens 100 mm
Dimensione tavola di lavoro (L x l x h)	mm 200x160x105 with lens 160 mm
"Z" axis · Asse "Z"	Manual · Manuale
Frequency · Frequenza	Fixed · Fissa
Focus Kit · Kit messa a fuoco	Included · Incluso
Dimensions (W x D x H) · Dimensioni (L x P x A)	481 x 446 x 604 mm
Weight · Peso	35 Kg

industry

LOGO



COMPANY WITH QUALITY SYSTEM CERTIFIED BY DNV GL - ISO 9001

02/2016

LOGO

SISMA Offices and Services in the WORLD

SISMA LAB - Laser & Automations
via dell'Artigianato, 26 - 36060 Romano d'Ezzelino (VI) - Italy
ph. +39 0424 510050 - fax +39 0424 514035 - info@sismalab.com - www.sismalab.com

SISMA AREZZO
via P. Gobetti, 23 - 52100 Arezzo - Italy
ph. +39 0575 250960 - fax +39 0575 250402 - info@sismacentro.it - www.sismacentro.it

SISMA LASER ESPAÑA, s.l.
Ctra. Castellar nº 541 - 08227 Terrassa - Barcelona - España
ph./fax +34 93 4800635 - info@sismalaser.es - www.sismalaser.es

SISMA LASER - DE
Neumeyerstrasse 48 - 90411 Nurnberg - Germany
ph. +49 (911) 5676947 - mobile +49 (151) 41928809 - webmaster@sisma-laser.de - www.sisma-laser.de

SISMA MEA
Kuyumcukent, zemin kat, 1. sk., no.34, Yenibosna - Istanbul - Turkey
ph.+90 212 520 7679 - info@dstmachine.com - www.sisma.com

MOSCA - RUSSIA
Yuzhnoportovaya Str. 5/1 - Office 450 - 115088 Moscow - Russia
Ph. +7 (495) 665 49 32 - ilgiz.sisma@gmail.com

DUBAI - UAE - DMCC Dubai Metals & Commodities Centre
Bldg. n°3, Ground Floor, Shop n°F02 - ph. +971(4) 3688737 - fax +971(4) 3688738
dubai@sisma.com - www.sisma.com

SISMA LTA CO. LTD
2/3 Moo 14, Bangna Tower A, 16th floor, Bangna-Trad Road, K.M. 6.5 Bangkaew, Bangplee, Samutprakam 10540
ph.+66 2 797 0730 - fax +66 2 797 0701 - sisma.thailand@gmail.com - www.sisma.com

WUXI - CHINA
Wuxi, Jiangsu 214071 - China 300 Qinan, Qing Qi Lu, APT 201
ph. +86 5105109595 - fax +865105109595 - wx.sisma@public1wx.js.cn - www.sisma.com

SISMA MESSICO - Sisma Laser Systems, S.A. DEC.V.
Parque Rio Grijaiva 25, casa 3, Col. Cuauhtemoc, Delegacion Cuauhtemoc - CP. 06500, Mexico D.F., Mexico
ph +52 5552560344 - fax +52 55 52867784
diego@sismalasersystems.com - www.sismalasersystems.com

www.saraffi.agency

The features, images, performances, weights and measures contained in the catalogue are completely indicative and approximate and may change without notice.

SISMA S.p.A.
via dell'Industria, 1
36013 Piovene Rocchette (VI) Italy
tel.(+39) 0445 595511
fax (+39) 0445 595595
info@sisma.com
www.sisma.com

industry

